



Remote EXchange Controller

Simple System, Powerful Features, Easy to Deploy



OVERVIEW

Monitoring and control system today requires real-time performance, remote access and use of mobile technology for anywhere, anytime fault and alarm notifications. Crucial factors for an effective and timely management of equipment, facilities or services.

REX (Remote EXchange Controller) is engineered to do all that and more. It can integrate with any third party sensor and equipment via dry contact or 4-20mA interface. REX is easy to use yet it is packed with powerful features to meet a wide range of industrial and commercial applications.

FEATURES

- Stand alone - Full functionality housed in one small and robust chassis.
- User friendly HTML interface using any web browser
- Event log, FIFO event recording (XML format)
- Remote on/off via logic expression and SMS command.
- 8 protected universal digital inputs (dry contacts)
- 2 digital relay outputs
- 2 analog inputs (4-20 mA)
- Configurable SMS repeat interval
- Remote add/edit/delete of phone number
- Remote query of phone group, input and output status
- Configurable auto-health check SMS

BENEFITS

- Easy to install, operate and maintain
- Low maintenance
- Low cost of ownership
- 24 x 7 operation
- Dedicated standalone operation
- No external PC or external application software required
- Open standards protocol, easy for external application interface

APPLICATIONS

- Data Centre
- Manufacturing Process
- Telecommunication
- Fire and Security
- Facility Management
- Energy Efficiency and Power Management
- Environmental
- M&E Facility Management

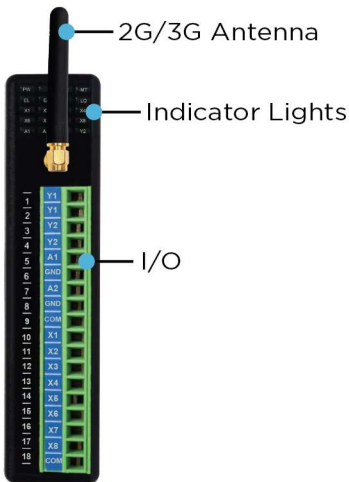
SPECIFICATIONS

Operating Voltage : 12 to 24V DC, 5W max power consumption
No. of Inputs : 8 digital protected inputs, volt free/dry contact
No. of Outputs : 2 relay outputs, contact rated at 24VDC, 1A max
No. of Analog Points : 2 analog inputs, 4-20mA
Logic Expression : Boolean expression for automatic output control
Communication Port : 1 x RJ45 port, 1 x Ethernet 10/100Mbps, 1 x RS485 Port
GSM Modem : HSPA+ 900/ 2100 MHz
 GSM / GPRS / EDGE
 850/900/1800/1900 MHz
Configurable Mobile No. : Up to 10 mobile phones (accept international phone number format and support auto-roaming)
Remote Setting : Remotely add, change, delete mobile number via SMS (authorization required)
Remote Control : Remotely turn ON/OFF/PULSE devices using SMS command.
Configurable SMS : User configurable for all input and output messages

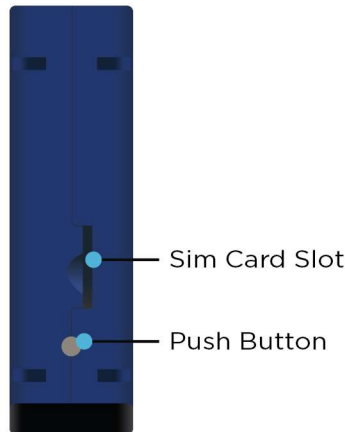
Humidity : 0-90% non condensing
Operating temperature : 0-55 degree Celsius
Weight & Physical size : 140g / 100(L) x 107(H) x 23 (D) mm
Security Features : Password protected and phone number check
Real Time Clock : Date time with battery backup
System Health Check : Remote health check features via SMS
I/O Status : Remote I/O query via SMS
Indicators : Power, Telco network, Signal Low LEDs
Repeat SMS Alarms : User configurable
Mounting : Industrial standard ABS housing with Din rail mounting, pluggable 5mm screw terminal block
Auto Health Check : YES
Event Logging : FIFO event recording exportable to XML format
Network Protocol : TCP (Transmission Control Protocol)
 IP (Internet Protocol)
 HTTP (Hyper Text Transfer Protocol)

PHYSICAL LAYOUT

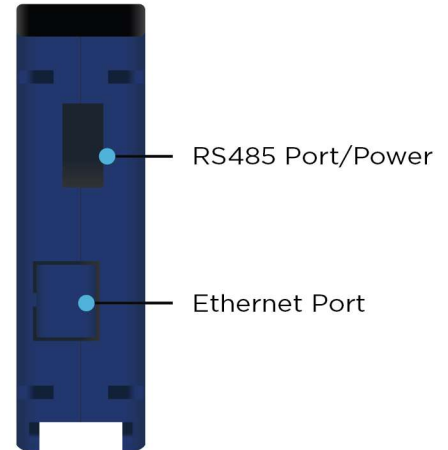
Front



Top



Bottom



Right



Left

